

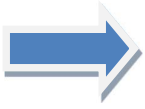
# Hausberg®

Model No.:HB-2025  
220-240V,50/60Hz, 600 W



## INSTRUCTION MANUAL

**EN:Vacuum cleaner**



**EN:**

**Technical data :**

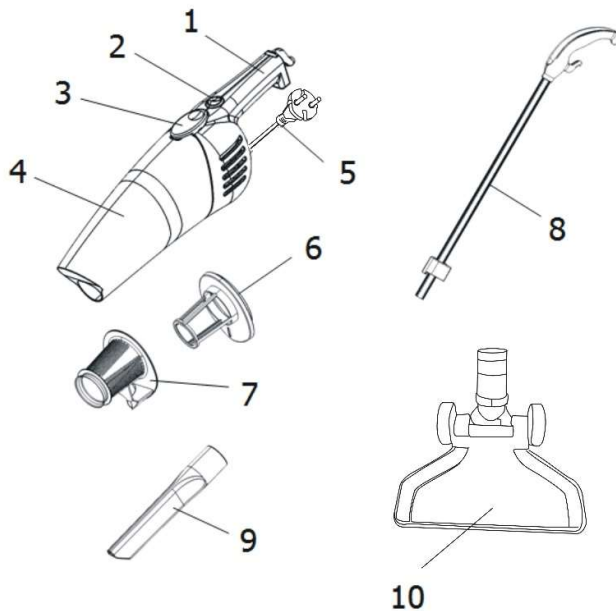
Input voltage : AC220-240V 50/60 Hz

Power max. : 600 W

Energy rating: A

Capacity: 0.5 L

Aspiration > 13 kpa



- |                         |                 |
|-------------------------|-----------------|
| 1. Handle               | 6. Dust bag     |
| 2. Power switch         | 7. Filter cover |
| 3. Button switch        | 8. Stick        |
| 4. Collection Container | 9. Nozzle       |
| 5. Power Cord           | 10. Floor brush |

**SAFETY PRECAUTIONS**

Read these safety instructions before using your device and store them for possible future reference.

- This appliance can be used by 8-year-old children people who have reduced physical, sensory or mental capabilities or by those whose knowledge or experience is limited, provided that they are under supervision or that they have received instructions on its proper safe use, to the extent that they understand the potential dangers. This appliance is not a children's toy. The cleaning and maintenance by the user should not be made by children without supervision.
- In order to ensure your children's safety, please keep all packaging out of their reach.

- Use only as instructed in this manual.
- The children should be monitored to ensure they do not operate this machine.
- Do not use the cleaner to wash people or animals.
- Do not use the cleaner outdoors or let it come in contact with any liquid. Use on dry surfaces.
- To protect against a risk of electric shock, do not immerse the apparatus in water or any other liquids.
- Do not place on or near hot surfaces.
- Make sure the vacuum cleaner is stored in a dry place.
- Do not use to vacuum liquids, wet materials, cigarettes butts, ashes or matches flammable or combustible materials such as gasoline...
- Do not pick up hard or sharp objects such as glass nails, screws, coins, etc.
- Keep hair, loose clothing, fingers away from openings and moving parts.
- Do not put any objects into openings. Do not use with any openings blocked and do not restrict airflow. Keep all opening free of dust, lint, hair, and anything that may reduce airflow.

This appliance contains electrical connections:

- Never vacuum any liquid
  - Do not immerse in any liquid for cleaning
  - The hose should be checked regularly and must not be used if damaged.
- Make sure the power supply corresponds to one on the rating label.
  - Do not operate any appliance with a damage cord or plug or after appliance has been damaged in any manner. Return the appliance to the nearest authorized service facility for examination, repair or adjustment. Never use a damaged machine.
  - If the supply cord is damaged, it must be replaced by the manufacturer or its service agent or a similar quality person in order to avoid a hazard.
  - Do not pinch, bend or twist the cable excessively. The core lines may be bared or cut causing a short – circuit which may in fire or electric shock.
  - Do not put anything heavy on the mains lead. Do not pull the mains lead.
  - Do not use the appliance with wet hands.

The power supply must be switch off before you remove the plug after each use.

## **SAVE THESE INSTRUCTIONS ASSEMBLY**

**WARNING:** Always unplug from electrical outlet before opening the collection container

**NOTE:** Filter must be used at all times when operating the model

1. To open the collection container, push button and pull out the collection container. Make sure filter is inside, the attach the collection container to the model.



2. When cleaning the rear filter, please screw off the bottom cover and take out the filter, you may

shake the filter lightly or clear it in soap liquid, please fix the rear filter after it's completely dry

3. To attach the upholstery brush or crevice to the model, push brush's flat end into the suction opening as shown below.



## HOW TO OPERATE YOUR MODEL

1. Hold the model firmly with your hand on the handle.
2. Push the on/off power switch to the "on" position
3. Start vacuuming

**CAUTION:** The model is very powerful unit. Make sure that you hold it firmly, otherwise it can slip out of your hand and cause injury.

## CHANGING & CLEANING THE FILTER

**WARNING:** Always unplug the unit from electrical outlet before opening the collection container

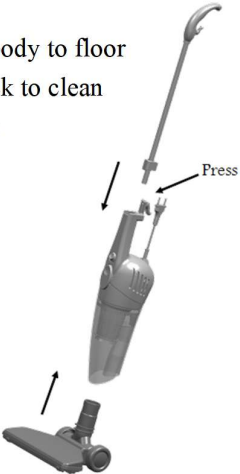
1. To open the collection container, push button and pull out the collection container
2. Pull out the filter
3. Empty the dust from the filter
4. Rinse the filter in cold water, and then wait until it dries completely before replacing it into the collection container.
5. Place the filter carefully back into the collection container
6. Attach the collection container to the model



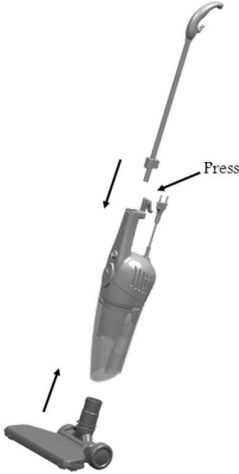
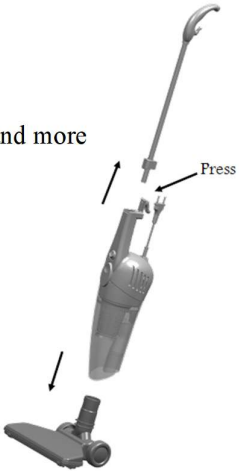
**CAUTION:** The suction opening must be open, free of any obstructions at all times. Otherwise, the motor will overheat and could get damaged.

# EXTENSION ATTACHMENTS (optional)

Stick Use: Connect body to floor brush and handle stick to clean hard floor and carpet



Handy Use: Connect body to upholstery brush to clean ceilings, vents, windows frames and more



# TROUBLE SHOOTING GUIDE

PROBLEM	POSSIBLE REASON	POSSIBLE SOLUTION
The model will not operate	Power cord is firmly plugged into outlet No power in wall outlet Needs to be cleaned or serviced	Plug unit in firmly Clean filter or call a qualified appliance repair person Empty filter
The model will not pick up	Filter is full Unit is clogged Collection container needs to be emptied	Turn unit off and unplug from wall outlet. Remove filter and check for object(s) that could be blocking air duct and remove. Clean or replace filter
Suction power is weak	Filter is full Unit is clogged Collection container needs to be emptied	
Dust escaping from the model	Filter is full Filter is not installed correctly. Puncture/hole in filter. Filter is blocked	Empty filter Review filter instructions and replace correctly Replace filter
Flexible hose or brushes will not pick up	Hose is clogged Filter is full	Remove hose and/or brushes. Remove obstruction from hose. Empty and clean filter Make sure hose and/or brush is properly installed.

If the supply cord of vacuum cleaner is damaged, it must be replaced by the manufacturer or its service agent or a similarly qualified person in order to avoid a hazard.

This appliance is not intended for use by persons (including children) with reduced physical, sensory or mental capabilities or lack of experience and knowledge, unless they have been given supervision or instruction concerning use of the appliance by a person responsible for their safety. Child should be supervised to ensure that they do not play with the appliance.

The European directive 2012/19/EU on Waste Electrical and Electronic Equipment (WEEE), requires that old household electrical appliances must not be disposed of in the normal unsorted municipal waste stream. Old appliances must be collected separately in order to optimize the recovery and recycling of the materials they contain, and reduce the impact on human health and the environment. The crossed out “wheeled bin” symbol on the product reminds you of your obligation, that when you dispose of the appliance, it must be separately collected.

